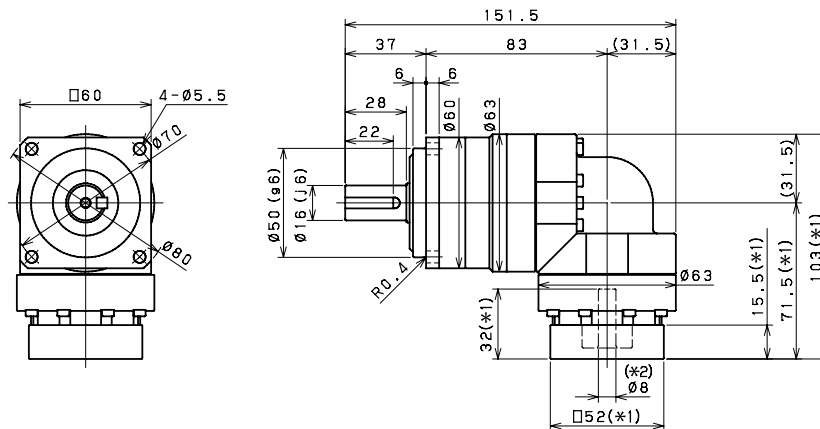


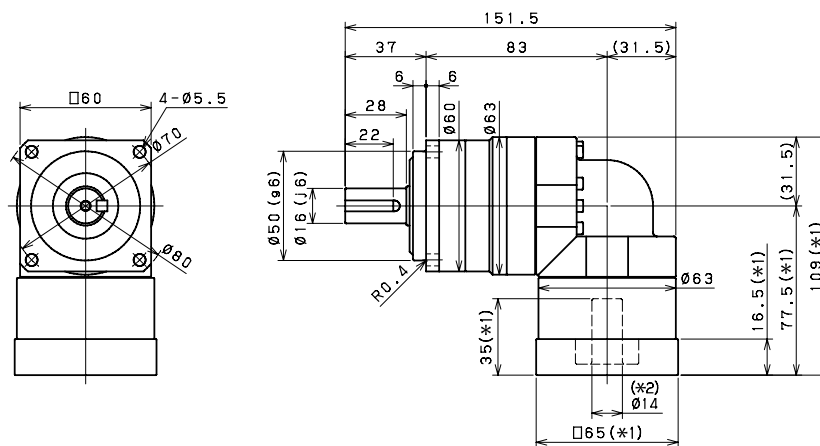
# EVB SERIES Right-angle Planetary

## EVB o6o 2-Stage Dimensions

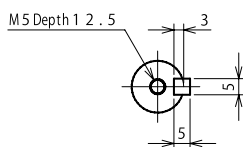
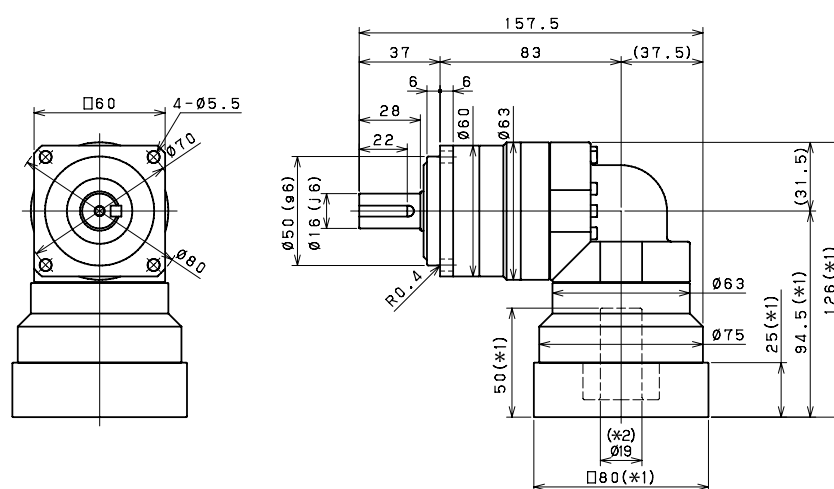
Input bore size  $\leq \phi 8$  mm



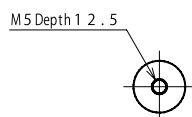
Input bore size  $\leq \phi 14$  mm



Input bore size  $\leq \phi 19$  mm



Keyed shaft

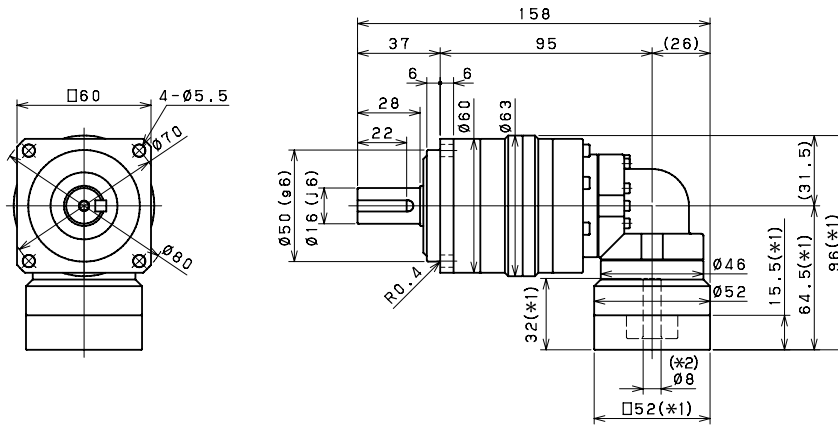


Smooth shaft

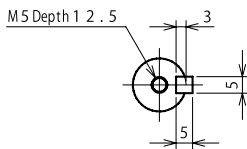
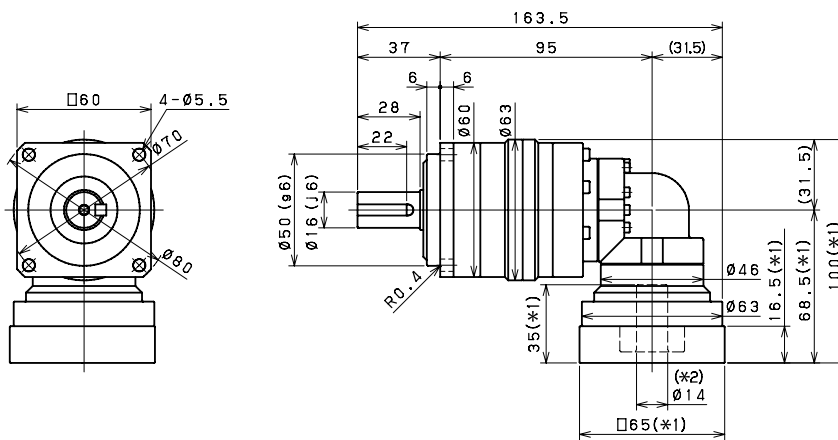
- \*1) Length will vary depending on motor
- \*2) Bushing will be inserted to adapt to motor shaft

## EVB o6o 3-Stage Dimensions

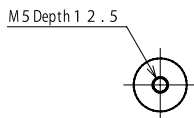
Input bore size  $\leq \phi 8$  mm



Input bore size  $\leq \phi 14$  mm



Keyed shaft



Smooth shaft

\*1) Length will vary depending on motor

\*2) Bushing will be inserted to adapt to motor shaft