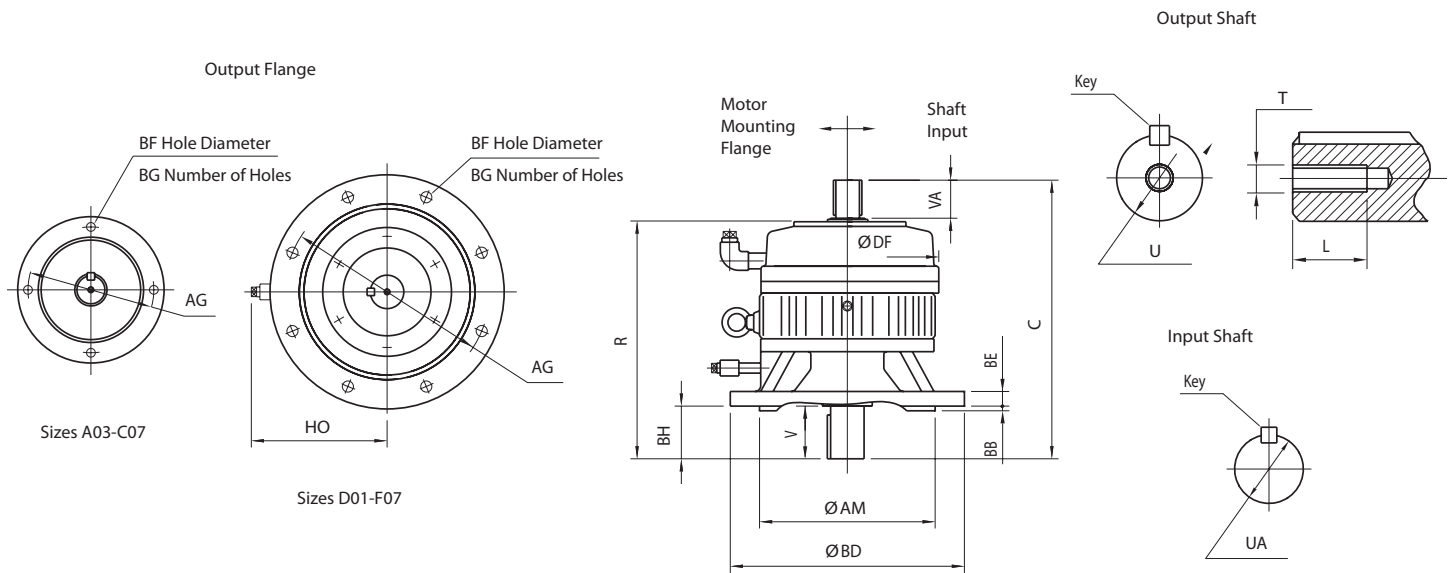


# ER-SERIES Circulute 3000 cycloidal reducer

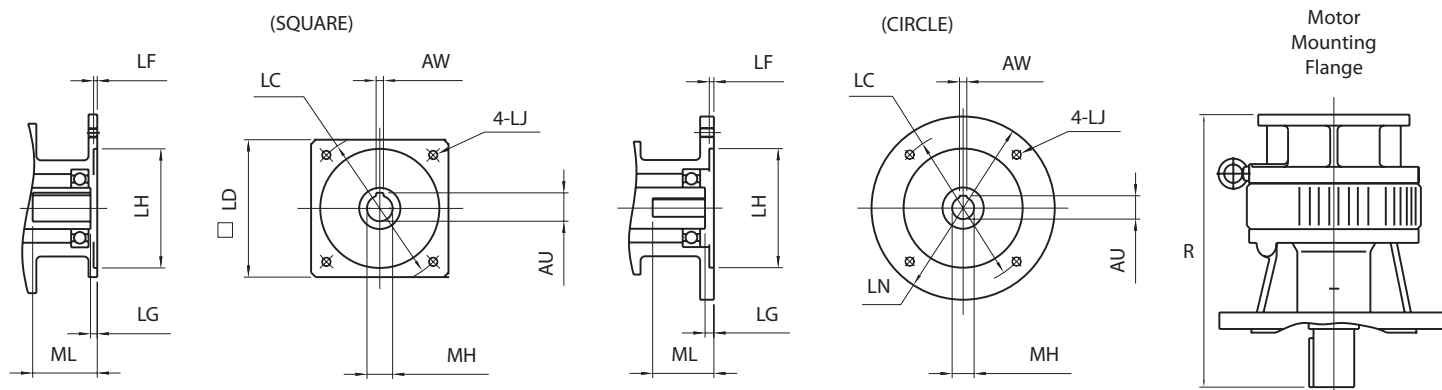
## ER Common Dimensions – Single Stage Flange Mount



Frame Size	Units	AG	AM	BB	BD	BE	BF	BG	BH	HO
A03 - A07	[mm]	130.05	110.01	4.06	160.02	13.97	11.94	101.60	29.97	N/A
B01 - B07	[mm]	165.10	130.00	4.06	199.90	13.97	11.94	101.60	40.13	N/A
C01 - C07	[mm]	214.88	180.01	4.06	249.94	18.03	14.99	101.60	55.12	N/A
D01 - D07	[mm]	264.92	230.00	5.08	299.97	22.10	14.99	203.20	70.10	184.91
E01 - E07	[mm]	350.01	300.00	7.87	400.05	24.89	19.05	203.20	89.92	230.12
F03 - F07	[mm]	400.05	350.01	7.87	450.09	24.89	19.05	203.20	109.98	260.10

Frame Size	Units	Output Shaft				
		U	V	Key	T	L
A03 - A07	[mm]	22.23	30.23	4.78x4.78x24.89	N/A	N/A
B01 - B07	[mm]	34.925	50.80	7.95x7.95x44.96	N/A	N/A
C01 - C07	[mm]	44.450	63.50	9.53x9.53x54.86	N/A	N/A
D01 - D07	[mm]	63.500	95.25	15.88x15.88x74.93	M10 x 1.5	18.03
E01 - E07	[mm]	73.025	111.00	19.05x19.05x95.00	M20 x 2.5	35.05
F03 - F07	[mm]	92.075	139.70	22.23x22.23x115.06	M20 x 2.5	35.05

## ER Flange Dimensions – Single Stage Flange Mount



Frame Size	LC	LD	LF	LG	LH	LN	LJ	MH	ML	R	Net Weight (kg)
<b>A03 - A07</b>	70	--	5	5	50	120	M5	14, 16	37	202.69	9.98
	90	--	5	7	70	120	M6	16, 19	57	212.60	9.98
	100	--	7	7	80	120	M6	16, 19	--	214.63	9.98
	115	100	7	7	95	--	M6	19, 24	57	212.60	9.98
	145	110	7	8	110	--	M8	22, 24	--	212.60	12.70
<b>B03 - B07</b>	70	--	5	5	50	120	M5	14, 16	37	238.00	16.33
	90	--	5	7	70	120	M6	16, 19	57	247.90	16.33
	100	--	7	7	80	120	M6	16, 19	--	249.94	16.33
	115	100	7	7	95	--	M6	19, 24	57	247.90	16.33
	145	110	7	8	110	--	M8	22, 24	--	247.90	17.23
<b>C03 - C07</b>	90	--	7	7	70	160	M6	16	--	293.88	30.84
	100	--	7	7	80	120	M6	16, 19	--	300.99	30.84
	115	130	7	7	95	--	M6	22, 24	--	293.88	30.84
	145	130	7	8	110	--	M8	24, 28	--	293.88	30.84
	200	176	7	7	114.3	--	M12	28, 35	--	328.93	38.55
<b>D03 - D07</b>	115	--	7	7	95	200	M6	22, 24	--	354.08	52.15
	145	130	8	8	110	--	M8	22, 24	--	349.00	52.15
	165	--	8	8	130	200	M10	24, 28	--	360.93	52.15
	200	176	10	7	114.3	--	M12	28, 35	--	378.97	56.69
	215	--	10	10	180	300	M12	35, 38	--	399.03	61.22
<b>E03 - E07</b>	145	--	10	7	110	250	M8	24, 28	--	409.96	111.56
	165	176	7	7	130	--	M12	24, 28	--	399.03	101.59
	200	176	7	6	114.3	--	M12	28, 35	--	399.03	101.59
	215	--	10	11	180	300	M12	35, 38	--	459.99	116.55
	235	--	8	11	200	350	M12	38, 42	--	494.03	129.71
<b>F03 - F07</b>	200	--	10	7	114.3	300	M12	28, 35	--	546.10	207.71
	215	--	10	8	180	300	M12	35, 38	--	546.10	207.71
	235	--	5	11	200	300	M12	38, 42	--	546.10	207.71
	265	--	5	11	230	400	M12	42, 48	--	564.90	219.50

MH	AU	AW	ML
14	16	5	32
16	18	5	37
19	21.5	6	42
22	25	8	57
24	27	8	67

MH	AU	AW	ML
28	31	8	67
35	38	10	67
38	41	10	88
42	45	12	118
48	51.5	14	118

- \*1) Other servo flanges and bore sizes are available. Contact Shimpo Drives Customer Service for additional information
- \*2) All dimensions are in mm, except for «R» dimension, which is in inches
- \*3) To download CAD drawings, visit our website: [www.shimpodrives.com](http://www.shimpodrives.com)