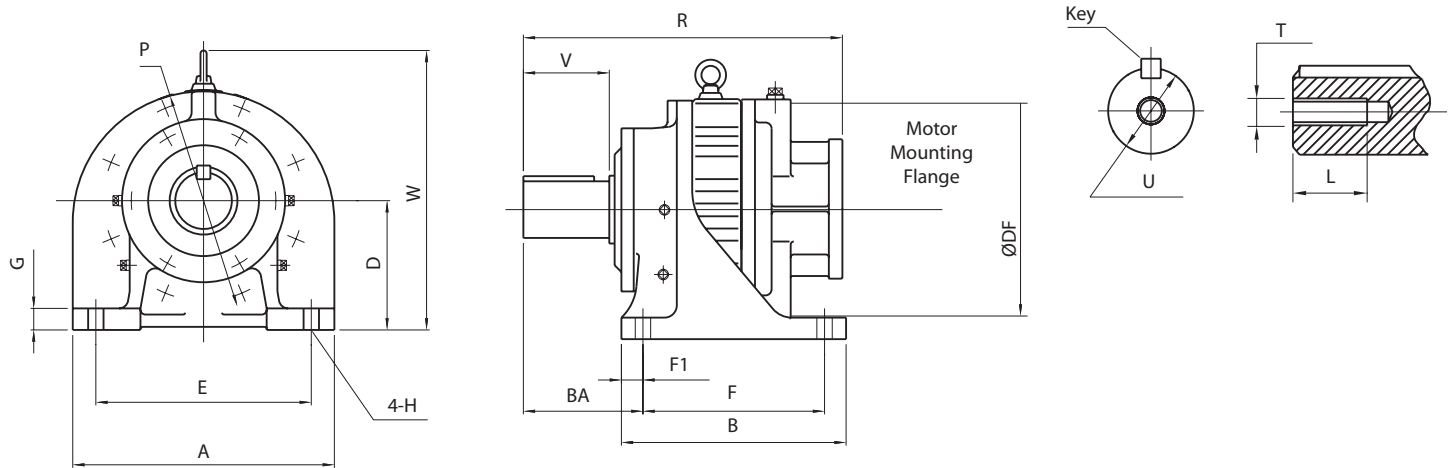


ER-SERIES Circulute 3000 cycloidal reducer

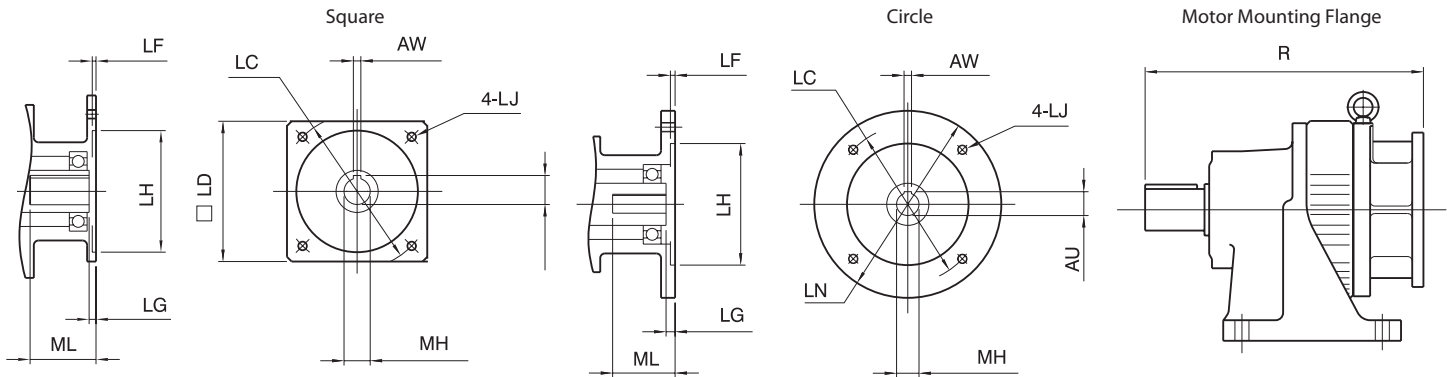
ER Common Dimensions – Single Stage Base Mount



Frame Size	Units	A	B	BA	D	DF	E	F	F1	G	H	P
A03 - A07	[mm]	175.01	119.89	65.28	89.99	N/A	145.03	89.92	14.99	16.00	11.94	147.07
A190 - A195	[mm]	180.09	134.87	59.94	100.00	N/A	150.11	89.92	14.99	11.94	10.92	147.07
B01 - B07	[mm]	175.01	150.11	85.85	115.01	N/A	145.03	119.89	14.99	16.00	11.94	150.11
B195 - B105	[mm]	180.09	134.87	59.94	100.00	N/A	150.11	89.92	14.99	11.94	10.92	150.11
B20H	[mm]	180.09	134.87	59.94	119.99	N/A	150.11	89.92	14.99	11.94	10.92	150.11
C01 - C07	[mm]	219.96	189.99	103.38	140.00	N/A	180.09	150.11	20.07	22.10	14.99	189.99
C110 - C115	[mm]	230.12	154.94	82.04	119.99	N/A	189.99	115.06	20.07	14.99	13.97	189.99
C225	[mm]	230.12	154.94	82.04	140.00	N/A	189.99	115.06	20.07	14.99	13.97	189.99
D01 - D07	[mm]	275.08	230.12	135.38	165.00	N/A	225.04	180.09	24.89	25.91	19.05	234.95
D135	[mm]	330.20	195.07	100.08	149.99	N/A	290.07	145.03	24.89	22.10	18.03	234.95
D145	[mm]	330.20	195.07	119.89	149.99	N/A	290.07	145.03	24.89	22.10	18.03	234.95
D225	[mm]	330.20	195.07	119.89	159.99	N/A	290.07	145.03	24.89	22.10	18.03	233.68
E01 - E07	[mm]	359.92	299.97	150.88	184.99	312.93	299.97	249.94	24.89	29.97	22.10	299.97
E165	[mm]	409.96	238.00	138.94	159.99	312.93	369.82	150.11	43.94	24.89	18.03	299.97
E370 - E375	[mm]	430.02	335.03	124.97	200.00	312.93	379.98	275.08	29.97	29.97	22.10	414.02
F03 - F07	[mm]	424.94	365.00	194.82	210.01	368.05	350.01	294.89	35.05	35.05	24.89	359.92

*1) Sizes A through B do not have a lifting eye

ER Flange Dimensions – Single Stage Base Mount



Frame Size	LC	LD	LF	LG	LH	LN	LJ	MH	ML	R	Net Weight (kg)
A03 - A07	70	--	5	5	50	120	M5	14, 16	37	202.692	9.98
	90	--	5	7	70	120	M6	16, 19	57	212.60	9.98
	100	--	7	7	80	120	M6	16, 19	--	214.63	9.98
	115	100	7	7	95	--	M6	19, 24	57	212.60	9.98
	145	110	7	8	110	--	M8	22, 24	--	212.60	12.70
B03 - B07	70	--	5	5	50	120	M5	14, 16	37	238.00	16.33
	90	--	5	7	70	120	M6	16, 19	57	247.90	16.33
	100	--	7	7	80	120	M6	16, 19	--	249.94	16.33
	115	100	7	7	95	--	M6	19, 24	57	247.90	16.33
	145	110	7	8	110	--	M8	22, 24	--	247.90	17.23
C03 - C07	90	--	7	7	70	160	M6	16	--	293.88	30.84
	100	--	7	7	80	120	M6	16, 19	--	300.99	30.84
	115	130	7	7	95	--	M6	22, 24	--	293.88	30.84
	145	130	7	8	110	--	M8	24, 28	--	293.88	30.84
	200	176	7	7	114.3	--	M12	28, 35	--	328.93	38.55
D03 - D07	115	--	7	7	95	200	M6	22, 24	--	354.08	52.15
	145	130	8	8	110	--	M8	22, 24	--	349.00	52.15
	165	--	8	8	130	200	M10	24, 28	--	360.93	52.15
	200	176	10	7	114.3	--	M12	28, 35	--	378.97	56.69
	215	--	10	10	180	300	M12	35, 38	--	399.03	61.22
E03 - E07	145	--	10	7	110	250	M8	24, 28	--	409.96	111.56
	165	176	7	7	130	--	M12	24, 28	--	399.03	101.59
	200	176	7	6	114.3	--	M12	28, 35	--	399.03	101.59
	215	--	10	11	180	300	M12	35, 38	--	459.99	116.55
	235	--	8	11	200	350	M12	38, 42	--	494.03	129.71
F03 - F07	200	--	10	7	114.3	300	M12	28, 35	--	546.10	207.71
	215	--	10	8	180	300	M12	35, 38	--	546.10	207.71
	235	--	5	11	200	300	M12	38, 42	--	546.10	207.71
	265	--	5	11	230	400	M12	42, 48	--	564.90	219.50

MH	AU	AW	ML
14	16	5	32
16	18	5	37
19	21.5	6	42
22	25	8	57
24	27	8	67

MH	AU	AW	ML
28	31	8	67
35	38	10	67
38	41	10	88
42	45	12	118
48	51.5	14	118

*1) Other servo flanges and bore sizes are available. Contact Shimpo Drives Customer Service for additional information

*2) All dimensions are in mm, except for «R» dimension, which is in inches

*3) To download CAD drawings, visit our website: www.shimpodrives.com

*4) The "R" dimension is the length from input flange face to output shaft end