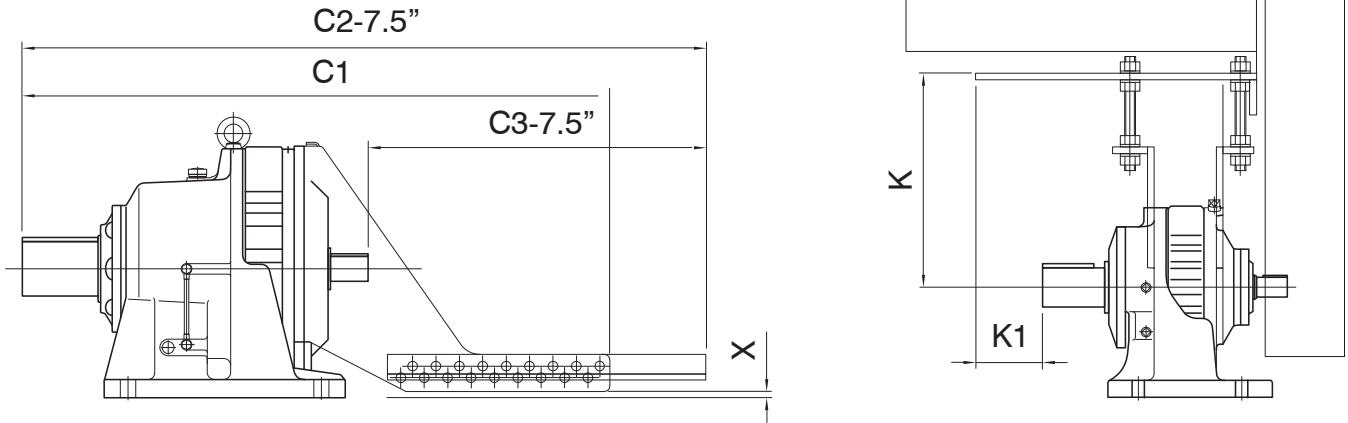


Circulate 3000

Dimensions Shovel Base & Top Mount Adaptor



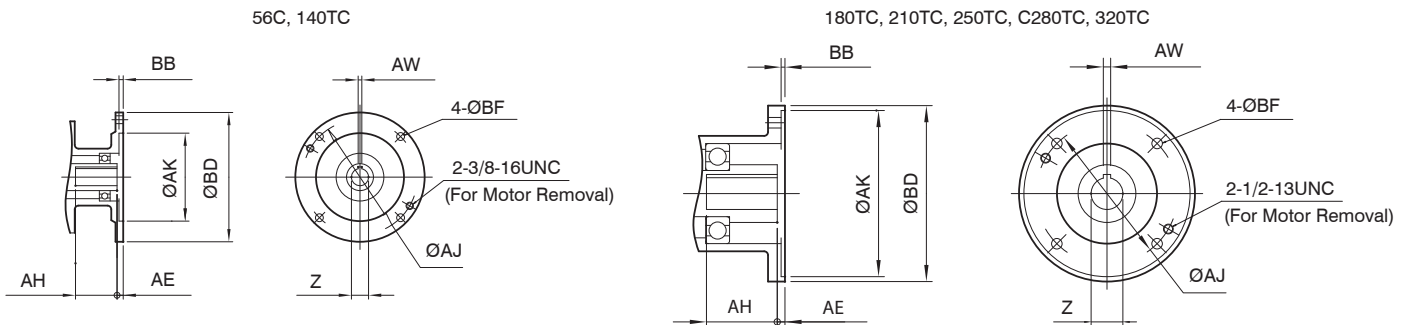
Frame Size	Shovel Base						Top Mount				
	Motor Frame Size	C1	C2	C3	X	Net Weight (lb)	Motor Frame Size	K		K1	Net Weight (lb)
C01 - C07	56-184T	31.10	34.35	21.63	0.76	93	56-184T	7.90	10.90	4.84	87
D01 - D07	143T-215T	32.04	38.29	24.12	0.95	162	145T-256T	9.20	12.20	3.59	140
E01 - E07	182T-256T	35.94	42.18	22.69	0.65	290	182T-256T	11.40	14.40	0.92	288
F03 - F07	213T-286T	37.27	47.24	24.29	2.40	590	213T-326T	15.10	18.10	-0.98	562

Notes: All dimensions are in inches.

For Top Mount, total V-drive drive centers = "K" dimension listed PLUS motor "D" dimension.

Top Mount can be rotated. Contact NIDEC-SHIMPO Customer Service for additional information.
Dimensions subject to change without notice.

Dimensions C-Face Adapter



C-Face Motor Size	AE	AH	AJ	AK	AW	BB	BD	BF	Z
56C	0.31	1.92	5.875	4.50	0.188	0.217	6.61	0.40	0.625
140TC	0.39	2.13	5.875	4.50	0.188	0.217	6.61	0.40	0.875
180TC	0.39	2.60	7.250	8.50	0.250	0.217	9.00	0.54	1.125
210TC	0.39	3.15	7.250	8.50	0.313	0.197	9.00	0.54	1.375
250TC	0.39	3.62	7.250	8.50	0.375	0.217	9.00	0.54	1.625
280TC	0.47	4.33	9.000	10.50	0.500	0.217	11.14	0.54	1.875

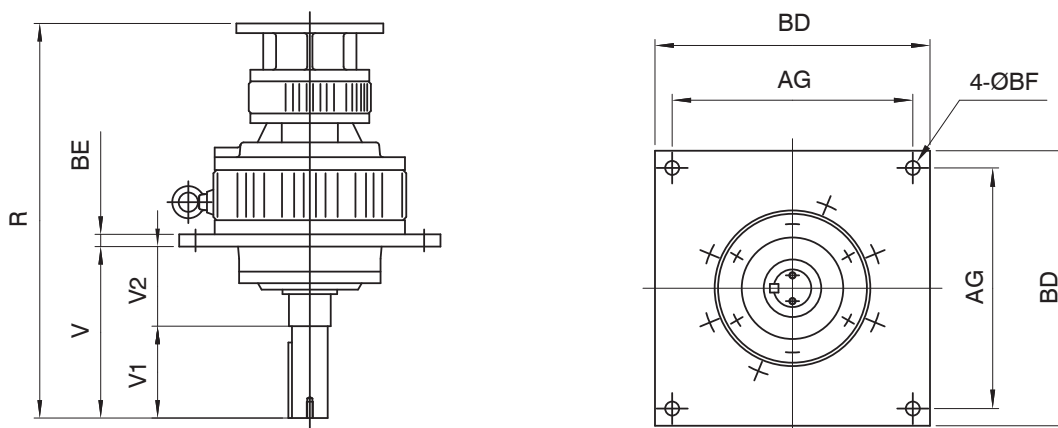
Notes:

All dimensions are in inches.

Dimensions subject to change without notice.

Reducers for Overhead Conveyor Applications

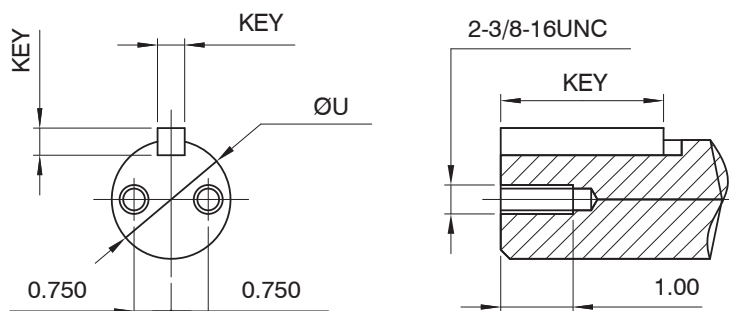
ER



Matches industry standard mounting and output shaft dimensions

- Grease lubrication won't ever leak oil with minimal maintenance. Optional USDA approved grease available
- Straddle mount output shaft bearings maximize overhung load capability
- Quill style NEMA C-Face easily accommodates standard motors while minimizing overall length
- Motor back-off holes allow simple motor removal

OUTPUT SHAFT



Frame Size	C-Face Motor Size	AG	BD	BE	BF	R	Output Shaft					Net Weight (lb)									
							U	V	V1	V2	Key										
AD7-50	56C	14.00	16.00	0.625	0.81	19.03	2.188	10.500	5.625	4.875	.500x.500x4.625	150									
BD7-50	56C/140TC					19.72						161									
BE3-50	56C/140TC					22.28						287									
	180TC					22.87						298									
BE7-50	56C/140TC	17.00	19.50	0.750	0.88	27.28	2.438	15.500	7.625	7.875	.625x.625x6.50	329									
	180TC					27.87						338									
BE7-60	56C/140TC					7.625						7.875	7.625	7.875	29.16	2.438	15.500	7.625	7.875	.625x.625x6.50	360
	180TC														29.16						360

Notes:

All dimensions are in inches.

To download CAD drawings, please visit our website.

See page 28 for C-Face dimensions.

See pages 12 & 13 for input HP and output torque ratings.

Dimensions subject to change without notice.