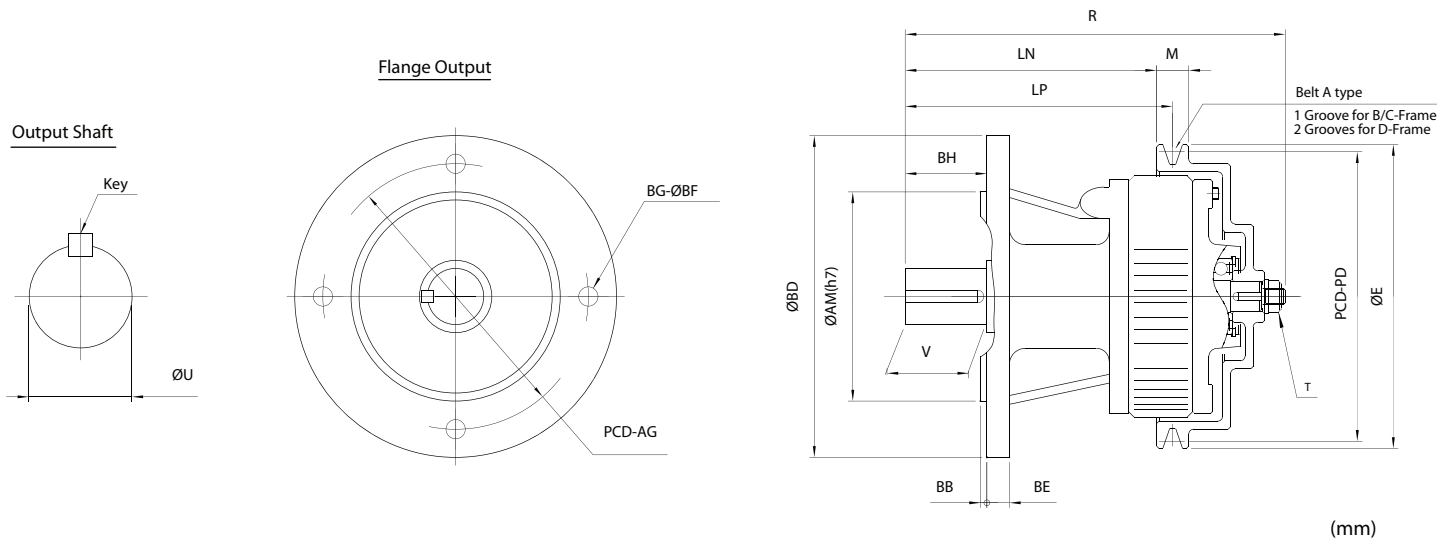


Circulute 3000

Rating Table Circulute 3000 Pulley with Standard Output Shaft



Frame	R	BG	$\varnothing BF$	PCD-AG	Key(inch)	$\varnothing U$ (inch)	V	BH	BB	BE	$\varnothing BD$	$\varnothing E$	$\varnothing AM$	LN	LP	M	PCD-PD	T
B07	239	4	12	165	.313x.313x1.77	1.375	51	51	4	14	200	189	130	156.3	166.3	20	180	M12
C07	299.5	4	15	214.9	.375x.375x2.16	1.750	63	63	4	18	250	233	180	197.5	207.5	20	224	M14
D07	323.5	8	15	265	.625x.625x2.95	2.500	95	95	5	22	300	289	230	213	223	35	280	M16