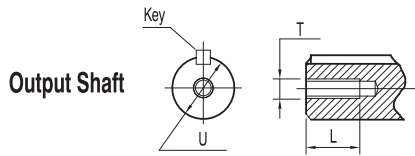
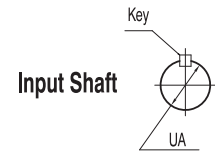


# Circulate 3000

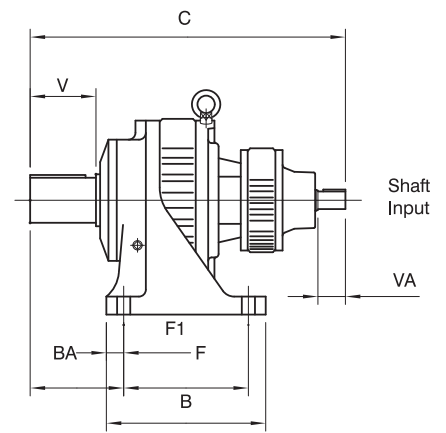
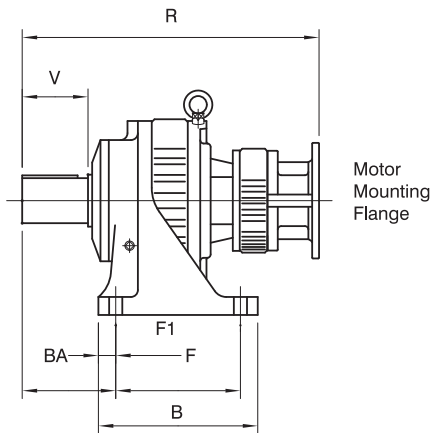
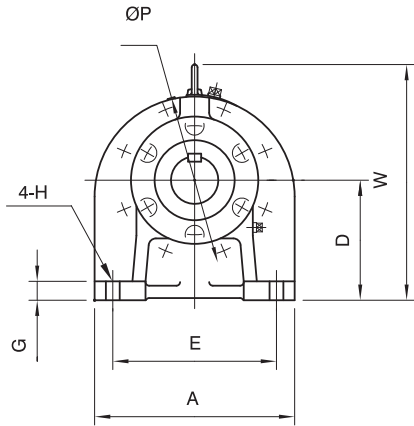
## Dimensions Double Reduction All Mounting Types



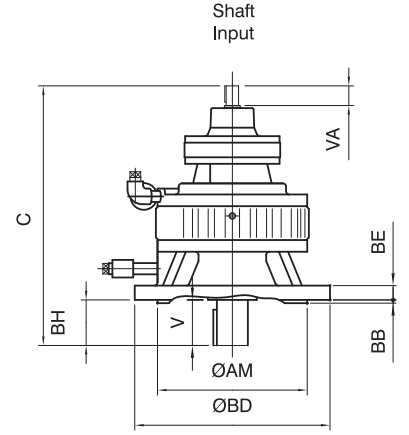
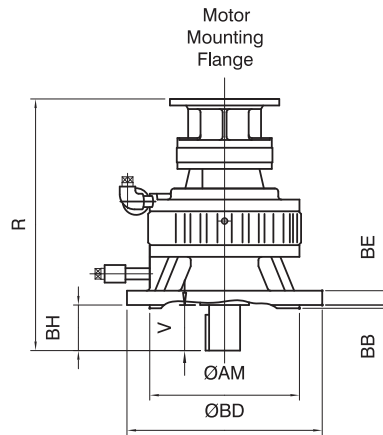
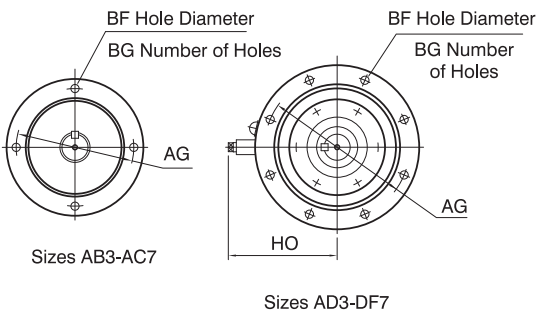
### NEMA C-Face Input



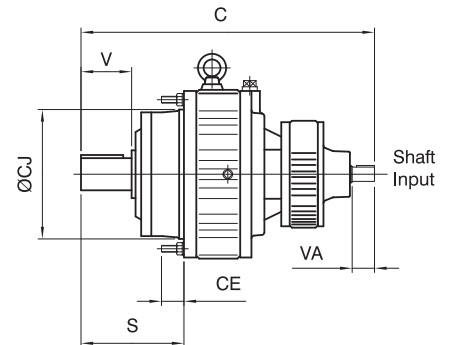
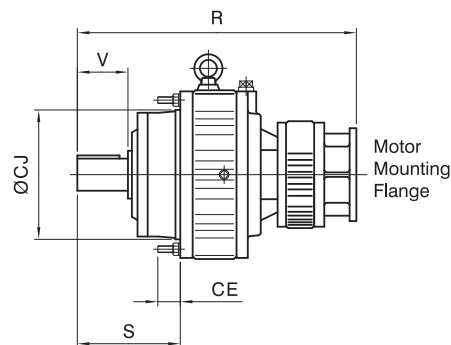
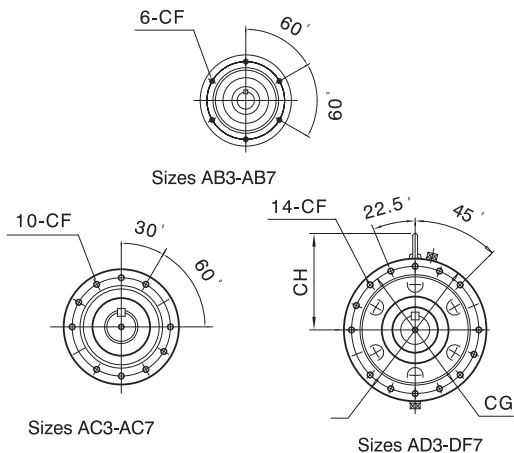
## Base Mount Dimensions Double Reduction



## Flange Mount Dimensions Double Reduction



## Ring Mount Dimensions Double Reduction



Dimensions Double Reduction All Mounting Types

Frame Size	C-Face	A	AG	AM	B	BA	BB	BD	BE	BF	BH	BG	C	CE
	Motor Size													
AB3, AB7	56C	6.89	6.50	5.118	5.91	3.38	0.16	7.87	0.55	0.47	2.00	4	13.15	0.94
AB105	56C	7.09	6.50	5.118	5.31	3.54	0.16	7.87	0.55	0.47	1.38	4	12.51	0.94
AC3, AC7	56C	8.66	8.46	7.087	7.48	4.07	0.16	9.84	0.71	0.59	2.50	4	15.08	1.38
AC115	56C	9.06	8.46	7.087	6.10	4.53	0.16	9.84	0.71	0.59	2.17	4	14.71	1.38
AD3, AD7	56C	10.83	10.43	9.055	9.06	5.33	0.20	11.81	0.87	0.59	3.75	8	16.73	1.18
AD135	56C	13.00	10.43	9.055	7.68	3.94	0.20	11.81	0.87	0.59	2.76	8	15.70	1.18
AD145	56C	13.00	10.43	9.055	7.68	4.72	0.20	11.81	0.87	0.59	3.54	8	16.48	1.18
BD7	56C/140TC	10.83	10.43	9.055	9.06	5.33	0.20	11.81	0.87	0.59	3.75	8	17.40	1.18
BE3, BE7	56C/140TC	14.17	13.78	11.811	11.81	5.94	0.31	15.75	0.98	0.75	4.37	8	20.08	1.57
BE165	56C/140TC	16.14	13.78	11.811	9.37	5.47	0.31	15.75	0.98	0.75	3.54	8	19.25	1.57
BE375	56C/140TC	16.93	13.78	11.811	13.19	4.92	0.31	15.75	0.98	0.75	3.54	8	19.25	1.57
CE7	180TC	14.17	13.78	11.811	11.81	5.94	0.31	15.75	0.98	0.75	4.37	8	21.30	1.57
CE375	180TC	16.93	13.78	11.811	13.19	4.92	0.31	15.75	0.98	0.75	3.54	8	19.25	1.57
CF3, CF7	56C/140TC	16.73	15.75	13.780	14.37	7.67	0.31	17.72	0.98	0.75	5.50	8	23.50	1.38
	180TC													
DF7	210TC	16.73	15.75	13.780	14.37	7.67	0.31	17.72	0.98	0.75	5.50	8	25.39	1.38

Frame Size	C-Face	CF	CG	CH	CJ	D	E	F	F1	G	H	HO	P	R
	Motor Size													
AB3, AB7	56C	M8	5.04	4.24	4.252	4.527	5.71	4.72	0.59	0.63	0.47	N/A	5.91	12.67
AB105	56C	M8	5.04	4.24	4.252	3.937	5.91	3.54	0.59	0.47	0.43	N/A	5.91	12.03
AC3, AC7	56C	M10	6.38	4.96	5.354	5.512	7.09	5.91	0.79	0.87	0.59	N/A	7.48	14.59
AC115	56C	M10	6.38	4.96	5.354	4.724	7.48	4.53	0.79	0.59	0.55	N/A	7.48	14.23
AD3, AD7	56C	M10	8.27	6.18	7.165	6.496	8.86	7.09	0.98	1.02	0.75	7.28	9.25	16.23
AD135	56C	M10	8.27	6.18	7.165	5.905	11.42	5.71	0.98	0.87	0.71	7.28	9.25	15.22
AD145	56C	M10	8.27	6.18	7.165	5.905	11.42	5.71	0.98	0.87	0.71	7.28	9.25	16.00
BD7	56C/140TC	M10	8.27	6.18	7.165	6.496	8.86	7.09	0.98	1.02	0.75	7.28	9.25	16.90
BE3, BE7	56C/140TC	M12	10.43	7.91	9.055	7.283	11.81	9.84	0.98	1.18	0.87	9.06	11.81	19.57
BE165	56C/140TC	M12	10.43	7.91	9.055	6.299	14.56	5.91	1.73	0.98	0.71	9.06	11.81	18.24
BE375	56C/140TC	M12	10.43	7.91	9.055	7.874	14.96	10.83	1.18	1.18	0.87	9.06	11.81	18.24
CE7	180TC	M12	10.43	7.91	9.055	7.283	11.81	9.84	0.98	1.18	0.87	9.06	11.81	20.91
CE375	180TC	M12	10.43	7.91	9.055	7.874	14.96	10.83	1.18	1.18	0.87	9.06	11.81	20.12
CF3, CF7	56C/140TC	M12	12.80	9.09	11.417	8.268	13.78	11.61	1.38	1.38	0.98	10.24	14.17	22.55
	180TC													23.14
DF7	210TC	M12	12.80	9.09	11.417	8.268	13.78	11.61	1.38	1.38	0.98	10.24	14.17	25.97

Frame Size	C-Face	S	W	Output Shaft					Input Shaft			Net Weight (lbs.)	
	Motor Size			U	V	Key	T	L	UA	VA	Key	w/C-Face	w/o C-Face
AB3, AB7	56C	4.99	7.48	1.375	2.00	.313x.313x1.77	N/A	N/A	0.750	1.19	.188x.188x.98	53	46
AB105	56C	4.37	6.89	1.125	1.38	.250x.250x1.18	N/A	N/A	0.750	1.19	.188x.188x.98	54	52
AC3, AC7	56C	6.20	10.38	1.750	2.50	.375x.375x2.16	N/A	N/A	0.750	1.19	.188x.188x.98	91	84
AC115	56C	5.87	8.46	1.500	2.17	.375x.375x1.77	N/A	N/A	0.750	1.19	.188x.188x.98	96	85
AD3, AD7	56C	6.67	12.68	2.500	3.75	.625x.625x2.95	N/A	N/A	0.750	1.19	.188x.188x.98	150	145
AD135	56C	6.46	12.17	1.875	2.76	.500x.500x2.17	3/8-16UNC	0.71	0.750	1.19	.188x.188x.98	143	141
AD145	56C	7.24	12.17	1.875	3.54	.500x.500x2.95	3/8-16UNC	0.71	0.750	1.19	.188x.188x.98	143	141
BD7	56C/140TC	6.67	12.68	2.500	3.75	.625x.625x2.95	N/A	N/A	0.750	1.19	.188x.188x.98	161	150
BE3, BE7	56C/140TC	8.03	15.71	2.875	4.37	.750x.750x3.74	3/4-10UNC	1.38	0.750	1.19	.188x.188x.98	274	271
BE165	56C/140TC	7.20	14.73	2.250	3.54	.500x.500x2.95	3/8-16UNC	0.71	0.750	1.19	.188x.188x.98	271	269
BE375	56C/140TC	7.20	16.30	2.750	3.54	.625x.625x2.95	1/2-13UNC	0.94	0.750	1.19	.188x.188x.98	305	303
CE7	180TC	8.03	15.71	2.875	4.37	.750x.750x3.74	3/4-10UNC	1.38	1.000	1.56	.250x.250x1.25	304	293
CE375	180TC	7.20	16.30	2.750	3.54	.625x.625x2.95	1/2-13UNC	0.94	1.000	1.56	.250x.250x1.25	331	325
CF3, CF7	56C/140TC	9.09	17.89	3.625	5.50	.875x.875x4.53	3/4-10UNC	1.38	1.000	1.56	.250x.250x1.25	481	480
	180TC											489	
DF7	210TC	9.09	17.89	3.625	5.50	.875x.875x4.53	3/4-10UNC	1.38	1.125	1.75	.250x.250x1.37	528	520

Notes: All dimensions are in inches.

To download CAD drawings, visit our website.

Size AB3 & AB7 do not include a lifting eye.

N/A - denotes dimension not applicable.

See page 26 for C-Face dimensions.

Dimensions subject to change without notice.