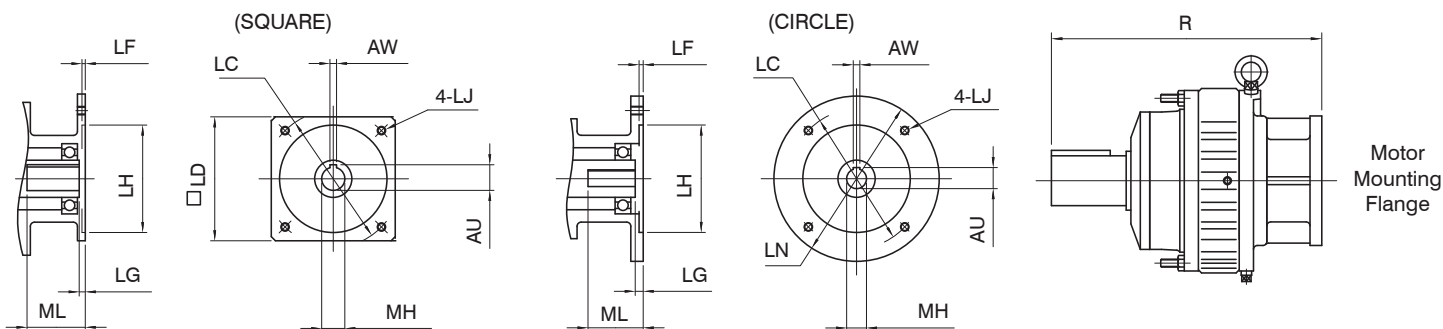


Motor Flange Dimensions Single Reduction Ring Mount



ER

Servo Input

Frame Size	LC	LD	LF	LG	LH	LN	LJ	MH	R	Net Weight (lb)
A03, A07	70	--	5	5	50	120	M5	14, 16	7.98	20
	90	--	5	7	70	120	M6	16, 19	8.37	20
	100	--	7	7	80	120	M6	16, 19	8.45	20
	115	100	7	7	95	--	M6	19, 24	8.37	20
	145	110	7	8	110	--	M8	22, 24	8.37	26
B03, B07	70	--	5	5	50	120	M5	14, 16	9.37	31
	90	--	5	7	70	120	M6	16, 19	9.76	31
	100	--	7	7	80	120	M6	16, 19	9.84	31
	115	100	7	7	95	--	M6	19, 24	9.76	31
	145	110	7	8	110	--	M8	22, 24	9.76	33
C03, C07	90	--	7	7	70	160	M6	16	11.57	58
	100	--	7	7	80	120	M6	16, 19	11.85	58
	115	130	7	7	95	--	M6	22, 24	11.57	58
	145	130	7	8	110	--	M8	24, 28	11.57	58
	200	176	7	7	114.3	--	M12	28, 35	12.95	75
D03, D07	115	--	7	7	95	200	M6	22, 24	13.94	90
	145	130	8	8	110	--	M8	22, 24	13.74	90
	165	--	8	8	130	200	M10	24, 28	14.21	90
	200	176	10	7	114.3	--	M12	28, 35	14.92	100
	215	--	10	10	180	300	M12	35, 38	15.71	110
E03, E07	145	--	10	7	110	250	M8	24, 28	16.14	197
	165	176	7	7	130	--	M12	24, 28	15.71	175
	200	176	7	6	114.3	--	M12	28, 35	15.71	175
	215	--	10	11	180	300	M12	35, 38	18.11	208
	235	--	8	11	200	350	M12	38, 42	19.45	237
F03, F07	200	--	10	7	114.3	300	M12	28, 35	21.50	376
	215	--	10	8	180	300	M12	35, 38	21.50	376
	235	--	5	11	200	300	M12	38, 42	21.50	376
	265	--	5	11	230	400	M12	42, 48	22.24	402

Notes:

Other servo flanges and bore sizes are available. Contact Shimpo Drives Customer Service for additional information.

All dimensions are in mm.

To download CAD drawings, visit our website:

Dimensions subject to change without notice.

Servo Input

Frame Size	MH	AU	AW	ML	Net Weight (lb)
A03, A07	14	16	5	32	20
	16	18	5	37	20
	19	21.5	6	42	20
	22	25	8	57	20
	24	27	8	67	26
B03, B07	28	31	8	67	31
	35	38	10	67	31
	38	41	10	88	31
	42	45	12	118	31
	48	51.5	14	118	33

C-Face Input

Frame Size	C-Face Motor Size	R	Net Weight (lb)
	A03 - A07		
B01 - B07	56C/140TC	9.99	29
	180TC	10.78	36
C01 - C07	56C/140TC	11.71	64
	180TC	12.30	67
	210TC	13.45	87
D01 - D07	140TC	13.56	107
	180TC	14.15	110
	210TC	14.74	112
	250TC	15.33	122
E01 - E07	180TC	17.87	206
	210TC	17.87	206
	250TC	17.87	206
	280TC	19.44	221
F03 - F07	210TC	20.42	332
	250TC	20.42	332
	280TC	21.84	365
	320TC	23.58	420

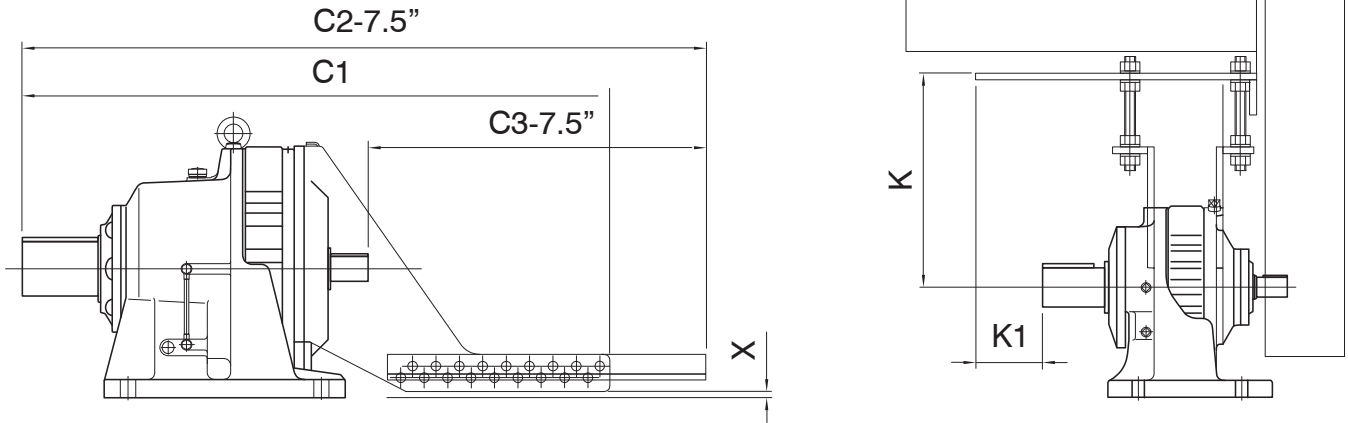
Notes:

All dimensions are in inches.

See page 28 for C-Face dimensions

Circulate 3000

Dimensions Shovel Base & Top Mount Adaptor



Frame Size	Shovel Base						Top Mount				
	Motor Frame Size	C1	C2	C3	X	Net Weight (lb)	Motor Frame Size	K		K1	Net Weight (lb)
C01 - C07	56-184T	31.10	34.35	21.63	0.76	93	56-184T	7.90	10.90	4.84	87
D01 - D07	143T-215T	32.04	38.29	24.12	0.95	162	145T-256T	9.20	12.20	3.59	140
E01 - E07	182T-256T	35.94	42.18	22.69	0.65	290	182T-256T	11.40	14.40	0.92	288
F03 - F07	213T-286T	37.27	47.24	24.29	2.40	590	213T-326T	15.10	18.10	-0.98	562

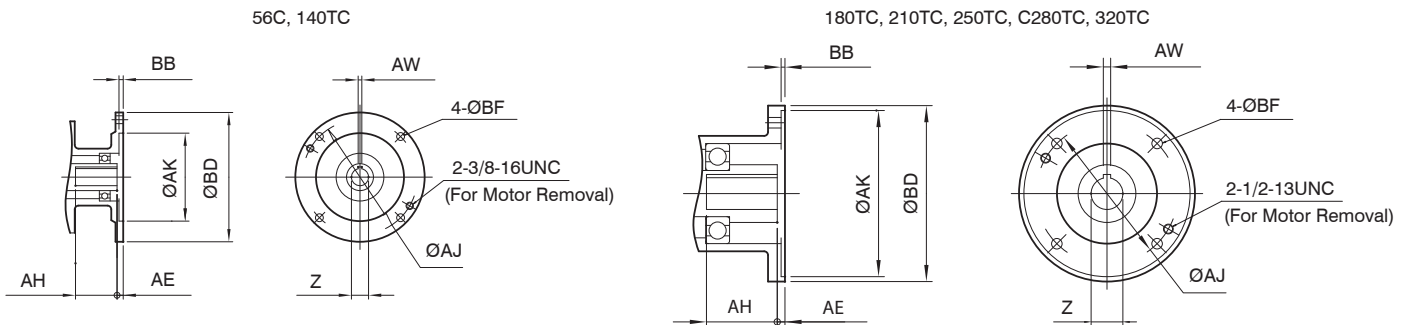
Notes: All dimensions are in inches.

For Top Mount, total V-drive drive centers = "K" dimension listed PLUS motor "D" dimension.

Top Mount can be rotated. Contact NIDEC-SHIMPO Customer Service for additional information.

Dimensions subject to change without notice.

Dimensions C-Face Adapter



C-Face Motor Size	AE	AH	AJ	AK	AW	BB	BD	BF	Z
56C	0.31	1.92	5.875	4.50	0.188	0.217	6.61	0.40	0.625
140TC	0.39	2.13	5.875	4.50	0.188	0.217	6.61	0.40	0.875
180TC	0.39	2.60	7.250	8.50	0.250	0.217	9.00	0.54	1.125
210TC	0.39	3.15	7.250	8.50	0.313	0.197	9.00	0.54	1.375
250TC	0.39	3.62	7.250	8.50	0.375	0.217	9.00	0.54	1.625
280TC	0.47	4.33	9.000	10.50	0.500	0.217	11.14	0.54	1.875

Notes:

All dimensions are in inches.

Dimensions subject to change without notice.