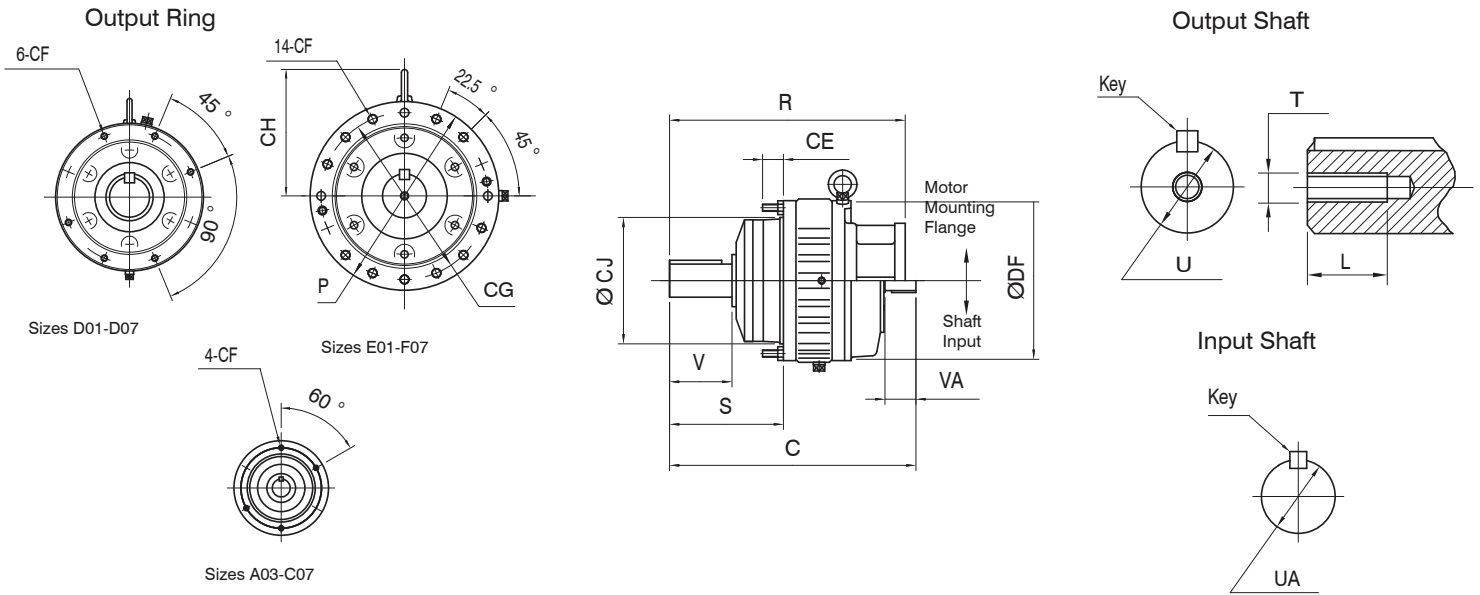


Circulute 3000

Common Dimensions Single Reduction Ring Mount



Frame Size	C	CE	CF	CG	CH	CJ	DF	P	S	Net Weight Shaft Input (lb)
A03 - A07	8.36	0.94	M8	5.04	N/A	4.252	N/A	5.79	3.67	18
B01 - B07	10.47	0.94	M8	5.04	N/A	4.252	N/A	5.91	4.99	24
C01 - C07	12.72	1.38	M10	6.38	4.96	5.354	N/A	7.48	6.20	54
D01 - D07	14.17	1.18	M10	8.27	6.18	7.165	N/A	9.25	6.67	89
E01 - E07	19.49	1.57	M12	10.43	7.91	9.055	12.32	11.81	8.03	178
F03 - F07	22.95	1.38	M12	12.80	9.09	11.417	14.49	14.17	9.83	321

Frame Size	Output Shaft					Input Shaft		
	U	V	Key	T	L	UA	VA	Key
A03 - A07	0.875	1.19	.188x.188x.98	N/A	N/A	0.750	1.19	.188x.188x.98
B01 - B07	1.375	2.00	.313x.313x1.77	N/A	N/A	0.750	1.19	.188x.188x.98
C01 - C07	1.750	2.50	.375x.375x2.16	N/A	N/A	1.000	1.56	.250x.250x1.25
D01 - D07	2.500	3.75	.625x.625x2.95	N/A	N/A	1.125	1.75	.250x.250x1.37
E01 - E07	2.875	4.37	.750x.750x3.74	3/4-10UNC	1.38	1.625	2.56	.375x.375x2.36
F03 - F07	3.625	5.50	.875x.875x4.53	3/4-10UNC	1.38	1.875	3.00	.500x.500x2.95

Notes:

All dimensions are in inches.

To download CAD drawings, visit our website.

N/A - denotes dimension not applicable.

See page 23 for "R" dimensions.

See page 28 for C-Face dimensions.

Dimensions subject to change without notice.