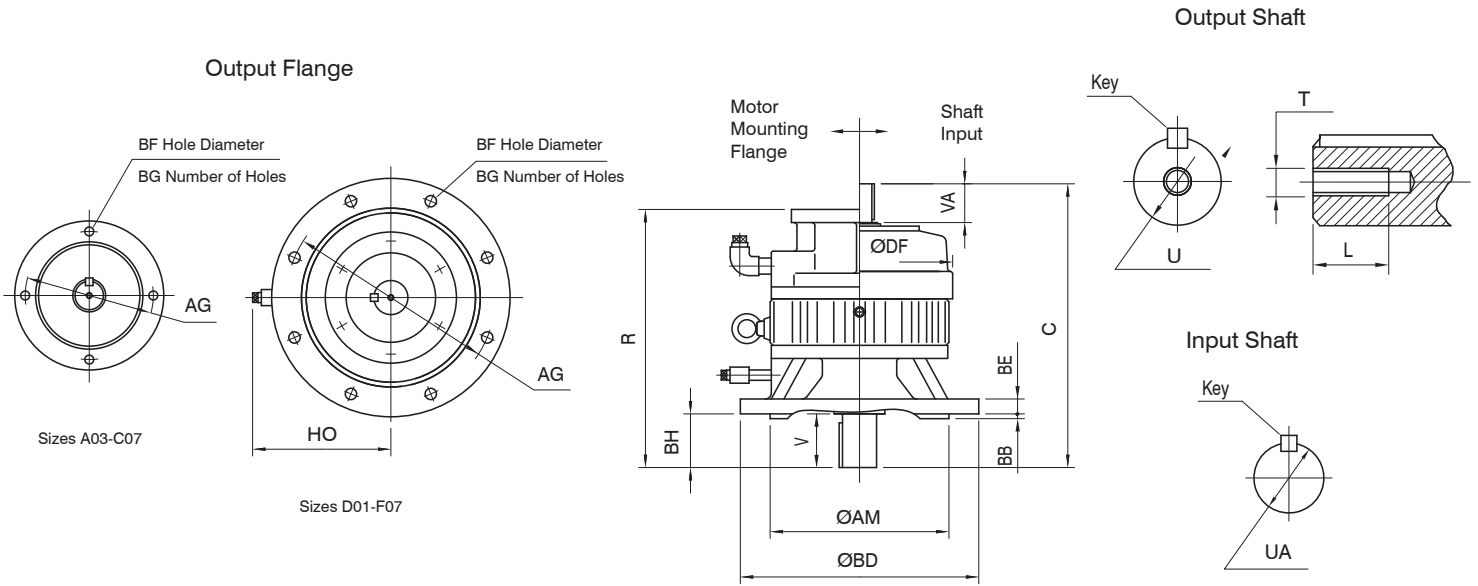


## Common Dimensions Single Reduction Flange Mount



| Frame Size       | AG    | AM     | BB   | BD    | BE   | BF   | BG | BH   | C     | DF    | HO    |
|------------------|-------|--------|------|-------|------|------|----|------|-------|-------|-------|
| <b>A03 - A07</b> | 5.12  | 4.331  | 0.16 | 6.30  | 0.55 | 0.47 | 4  | 1.19 | 8.36  | N/A   | N/A   |
| <b>B01 - B07</b> | 6.50  | 5.118  | 0.16 | 7.87  | 0.55 | 0.47 | 4  | 2.00 | 10.47 | N/A   | N/A   |
| <b>C01 - C07</b> | 8.46  | 7.087  | 0.16 | 9.84  | 0.71 | 0.59 | 4  | 2.50 | 12.72 | N/A   | N/A   |
| <b>D01 - D07</b> | 10.43 | 9.055  | 0.20 | 11.81 | 0.87 | 0.59 | 8  | 3.75 | 14.17 | N/A   | 7.28  |
| <b>E01 - E07</b> | 13.78 | 11.811 | 0.31 | 15.75 | 0.98 | 0.75 | 8  | 4.37 | 19.49 | 12.32 | 9.06  |
| <b>F03 - F07</b> | 15.75 | 13.780 | 0.31 | 17.72 | 0.98 | 0.75 | 8  | 5.50 | 22.95 | 14.49 | 10.24 |

| Frame Size       | Output Shaft |      |                |           |      | Input Shaft |      |                | Net Weight Shaft Input (lb) |
|------------------|--------------|------|----------------|-----------|------|-------------|------|----------------|-----------------------------|
|                  | U            | V    | Key            | T         | L    | UA          | VA   | Key            |                             |
| <b>A03 - A07</b> | 0.875        | 1.19 | .188x.188x.98  | N/A       | N/A  | 0.750       | 1.19 | .188x.188x.98  | 20                          |
| <b>B01 - B07</b> | 1.375        | 2.00 | .313x.313x1.77 | N/A       | N/A  | 0.750       | 1.19 | .188x.188x.98  | 29                          |
| <b>C01 - C07</b> | 1.750        | 2.50 | .375x.375x2.16 | N/A       | N/A  | 1.000       | 1.56 | .250x.250x1.25 | 64                          |
| <b>D01 - D07</b> | 2.500        | 3.75 | .625x.625x2.95 | N/A       | N/A  | 1.125       | 1.75 | .250x.250x1.37 | 106                         |
| <b>E01 - E07</b> | 2.875        | 4.37 | .750x.750x3.74 | 3/4-10UNC | 1.38 | 1.625       | 2.56 | .375x.375x2.36 | 199                         |
| <b>F03 - F07</b> | 3.625        | 5.50 | .875x.875x4.53 | 3/4-10UNC | 1.38 | 1.875       | 3.00 | .500x.500x2.95 | 392                         |

**Notes:**

All dimensions are in inches.

To download CAD drawings, visit our website.

N/A – denotes dimension not applicable.

See page 21 for "R" dimensions.

See page 28 for C-Face dimensions.

Dimensions subject to change without notice.